



MitySOM-C10L / C10G

Cyclone 10 LP & GX Modules



Production-Ready Solution for Industrial Applications

Embedded Co-Processor
Machine Vision

Programmable Logic
Controller and Drivers

Motor Control

Chip-to-Chip Interfacing

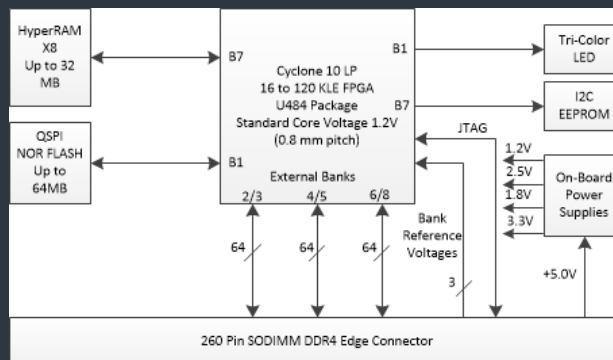
Test and Measurement

Embedded Instrumentation

Industrial Automation &
Control

Industrial Instrumentation

System IO Expansion



MitySOM-C10L:

- FPGA fabric only; CPU as NIOS or RISC-V softcore
- DDR4 connector
- Provides a low cost, carrier card-ready FPGA expansion

MitySOM-C10G:

- C10GX + 1GB DDR3
- NIOS or RISC-V softcore if micro-controller required
- DDR4 connector
- Electrically compatible with MitySOM-C10L, allows easy upgrade

