

## STANDARD HOUSING DIMENSIONS

Unless otherwise noted, all dimensions are in mm [inches].

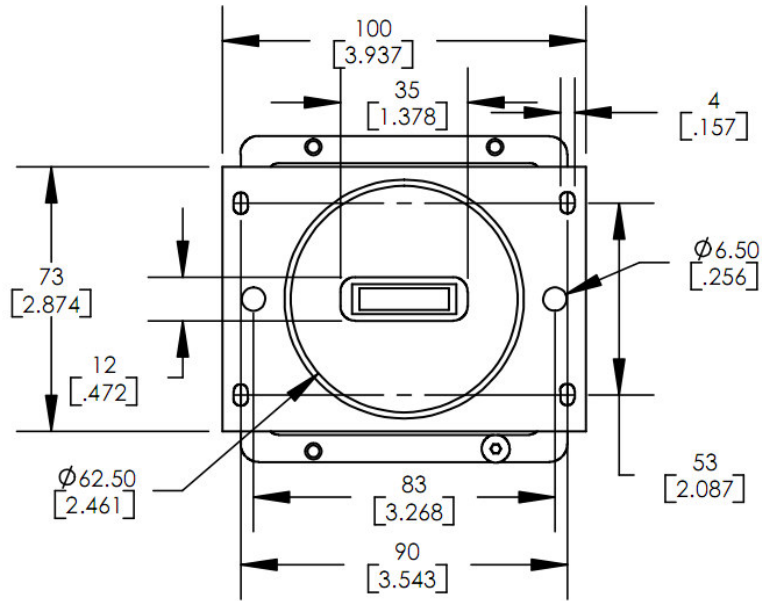


Figure 1: Standard Body (Type A) with Rectangular Flange (Type A) - Front View

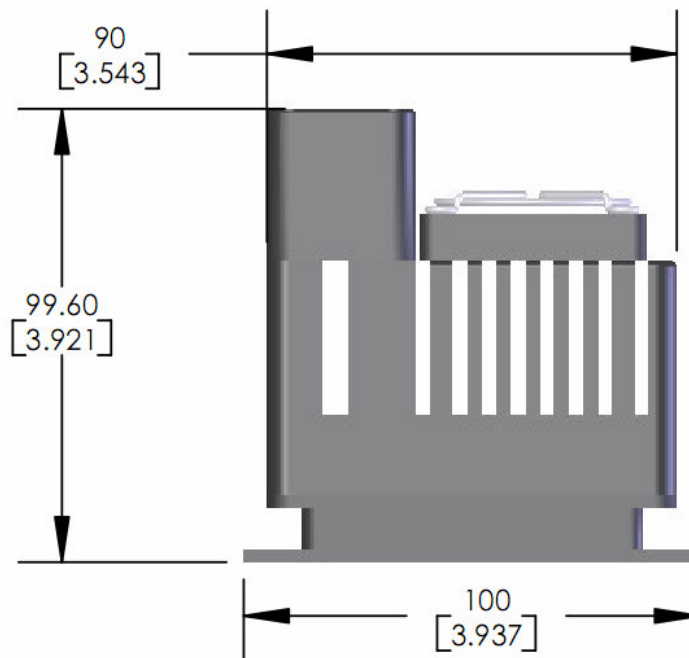


Figure 2: Standard Body (Type A) with Rectangular Flange (Type A) - Side View



Figure 3: Standard Body (Type A) with Rectangular Flange (Type A) - Top View

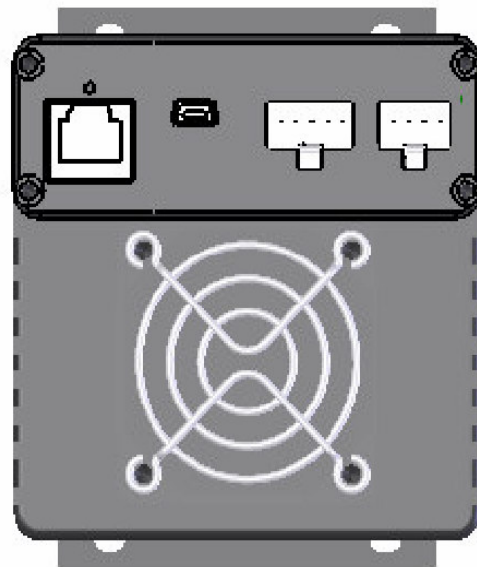


Figure 4: Standard Body (Type A) with Rectangular Flange (Type A) - Back View